

THE READER | WING CHAIR

Designed by Tor Hadsund



DIMENSIONS

HxWxD: 105 x 78 x 91 cm / 41 x 31 x 36"



MATERIAL

Solid oak, Laminated veneer and Polyester (Kingston).
Find more information in the Kingston fabric spec sheet.



WEIGHT INCL. PACKAGING

27.5 kg / 61 lb



PACKAGING

Box dimensions (LxWxH):
83 x 96 x 111 cm / 33 x 38 x 44"



MEDIA KIT

Photos, 3D models, 2D drawings
Download at umagepress.com

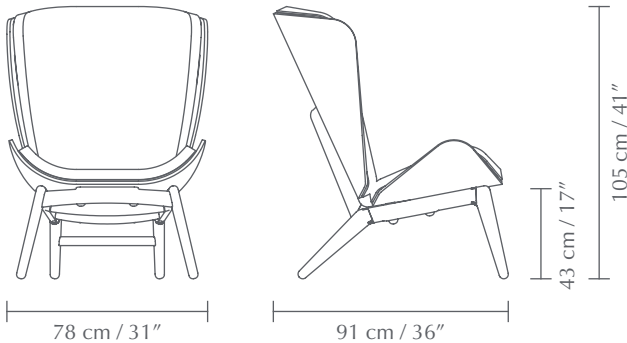


ORDERING INFORMATION

Oak petrol blue	EU #5510 / US #5530
Oak silver grey	EU #5511 / US #5731
Oak spring green	EU #5512 / US #5732
Oak dusty rose	EU #5513 / US #5733
Oak slate grey	EU #5514 / US #5734
Dark oak petrol blue	EU #5709 / US #5730
Dark oak silver grey	EU #5710 / US #5732
Dark oak spring green	EU #5711 / US #5732
Dark oak dusty rose	EU #5712 / US #5733
Dark oak slate grey	EU #5713 / US #5734

MECHANICAL TEST

EU: Passed EN 16139 (L1) & EN 1022
US: Mechanical test: Passed ANSI/BIFMA X5.4



Colour variations (Fabrics from Kvadrat & Sorensen Leather available on request, find more info in the Upholstery spec sheets)



oak



dark oak



petrol blue



silver grey



spring green



dusty rose



slate grey



THE READER | WING CHAIR

Designed by Tor Hadsund



SHELL YOURSELF FROM THE OUTSIDE AND DIVE IN

The Reader wing chair has been designed as a place for letting your body sink into and relax. The chair's special curved shell is inspired by traditional Danish crafting techniques and helps to reduce surrounding noise, offering a place of shelter and reflection.

With its light form and bold organic curves, The Reader is a stand-out design piece in any setting and just right for enjoying a good book or engaging conversation

Find more info on our website umage.com

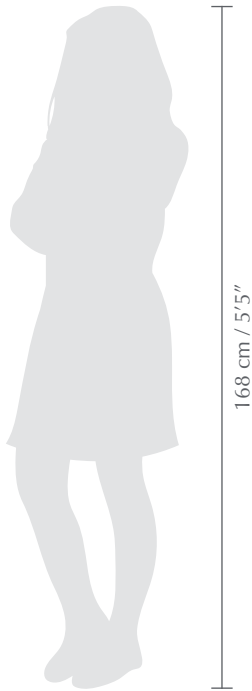
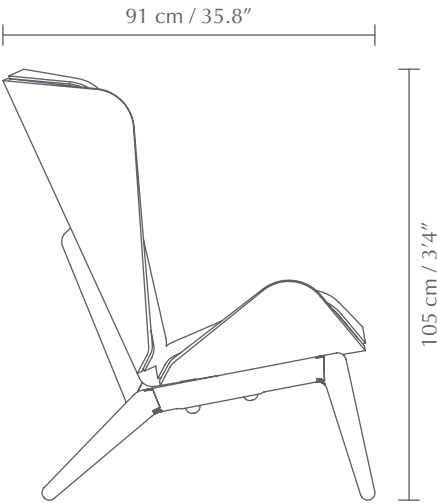
RECOMMENDED ACCS.

The Reader ottoman oak petrol blue	#5583+5583-1
The Reader ottoman oak silver grey	#5583+5583-2
The Reader ottoman oak spring green	#5583+5583-3
The Reader ottoman oak dusty rose	#5583+5583-4
The Reader ottoman oak slate grey	#5583+5583-5
The Reader ottoman dark oak petrol blue	#5588+5588-1
The Reader ottoman dark oak silver grey	#5588+5588-2
The Reader ottoman dark oak spring green	#5588+5588-3
The Reader ottoman dark oak dusty rose	#5588+5588-4
The Reader ottoman dark oak slate grey	#5588+5588-5



THE READER WING CHAIR

Designed by Tor Hadsund



UIMAGE

The specifications and dimensions are subject to change without notice. Document date: 10-10-2019 | info@umage.com | www.umage.com
Kongens Nytorv 15, DK-1050 Copenhagen K | +45 31 39 31 31 (tel) & 185 Wythe Ave 2FL, Brooklyn, NY 11249 | +1 646-790-7171 (tel)